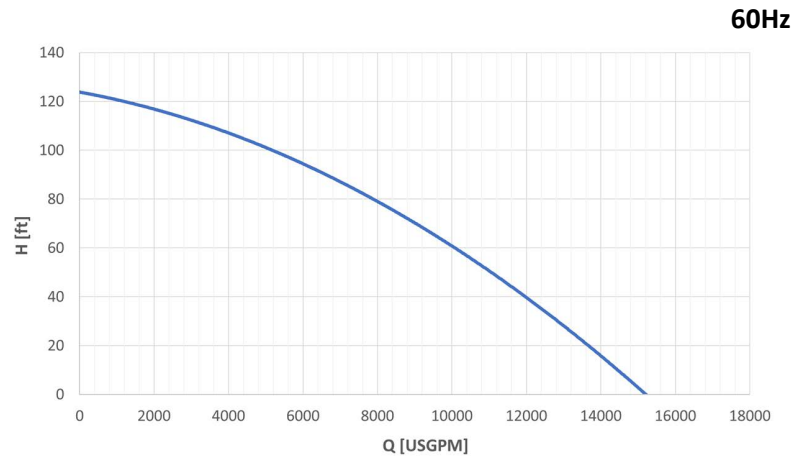
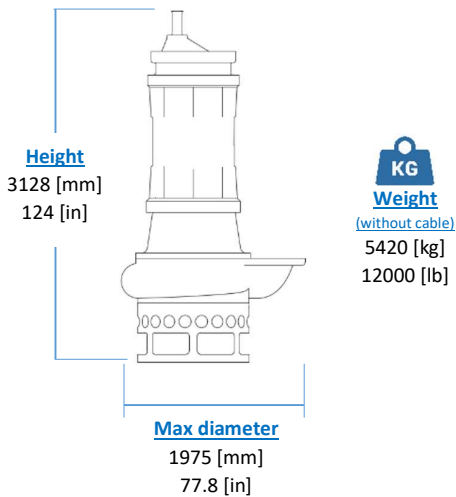


# ELECTRIC PUMP EL300HC



Model	EL300 HC
Brake Power [kW   HP]	240   322
Electric Power [kW   HP]	255   342
Frequency [Hz]	60
Efficiency [%]	63%
Number of Poles	8
RPM	895
Voltage [V]	460
Rated Current [A]	390
Solid handling [mm   in]	120   4.7
Discharge [ANSI]	450   18"



### Materials

Part	Standard
Casing	Cast Iron EN-GJS500
Body	Cast Iron EN-GJS500
Wear Parts	High chrome EN-GJN-HV600 (CH6)
Minimum hardness [HB]	550
Main shaft	High tensile 39NiCrMo3
PH Range	5-10

### Seals and lubricants

Version	STANDARD	MG
Motor Side	LIPS	MECHANICAL
Impeller Side	LIPS	LIPS
Oil type	EP320	ISO32

### Electrical motor

| Insulation class H

### Cable

| x H07RN-F 4Gxx length 60ft

### Operating Conditions

- | Max liquid temperature 95 °F
- | Min Submersion depth 114 in